



Cable Glands & Accessories



**CABLE GLANDS &
ACCESSORIES**

AXELON METALS
AN ISO 9001 : 2015 CERTIFIED

About Axelon

“AXELON” Cable Glands and Terminals” manufactured by AXELON METALS is a leading manufacturer of Cable accessories, providing a wide range of high-quality, reliable, and safe solutions for customers worldwide. With extensive experience in the industry, our company is committed to delivering innovative and customized products for various applications.



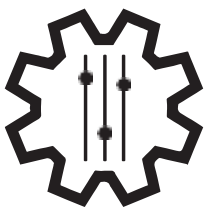
Product Range

Our product range includes a wide variety of Cable Glands (Single Compression, Double Compression, PG Metal Glands) designed to suit the needs of different industries and applications. We offer Cable Glands for indoor and outdoor use, for use in hazardous and non-hazardous environments, for use in low and high voltage applications, and for use with various types of cables, including armoured and unarmoured cables. Our range of Terminals includes Ring, Pin, Fork, End Sealing type, Copper & Aluminium Lugs, Bi-Metallic Lugs and more, all designed to provide a secure and reliable connection.



Quality Assurance

At AXELON, we take pride in the quality of our products. Our cable glands and terminals are manufactured using the latest technology and materials, and are subjected to rigorous testing and inspection to ensure their performance and reliability. All our Cable Glands are type tested as per at CIMFR Dhanbad (as per IEC 60529 & IEC 60079 Standards). All our Aluminium terminals are type tested at ERDA as per IS8309 standards & all our Copper Terminals are tested as per IS191 Standards.



Customization

We understand that every application has its own unique requirements. That's why we offer customization services to our customers, allowing them to tailor our Cable glands and Terminals to their specific needs. Our team of experienced individuals work closely with our customers to design and develop custom solutions that meet their exact requirements.



Customer Support

At AXELON, we are committed to providing excellent customer support. Our knowledgeable and experienced team is available to assist customers with any questions or concerns they may have, and to provide technical support and guidance.

If you are looking for high-quality, reliable, and safe cable glands and terminals, look no further than Axelon Metals Contact us today to learn more about our products and services.

List of Contents

Page No.

01	Field of Applications.....	04
02	Axelon Single Compression Light Duty Cable Glands	05
03	Axelon Single Compression Type Heavy Duty Cable Gland (SIBG Series)	06-07
04	Axelon Double Compression Weatherproof Cable Glands (Armoured Cables)	08-09
05	Axelon Double Compression Weatherproof Cable Glands (Un-Armoured Cables)	10-11
06	Axelon Double Compression Flameproof Cable Glands (Armoured Cables)	12-13
07	Axelon Double Compression Light Duty Cable Glands	14
08	Axelon Metal Type Brass PG & Metric Glands for Flexible Cables	15
09	Axelon Flange Type Cable Glands	16
10	Axelon BW Cable Glands	17
11	Axelon CW Cable Glands	18
12	Axelon A1 / A2 Cable Glands.....	19
13	Axelon Wiping Glands.....	20
14	Axelon Low Smoke Zero Halogen (LSZH) Cable Gland Shroud.....	21
15	Axelon Other Type of Cable Glands	22
16	Axelon Gland Selection Chart.....	23-30
17	Axelon Consultants & Clients	31

Field of Applications

- ▶ Mining Industries
- ▶ Aeronautic Industries
- ▶ Cement Industries
- ▶ Automobile Industries
- ▶ Sugar Industries

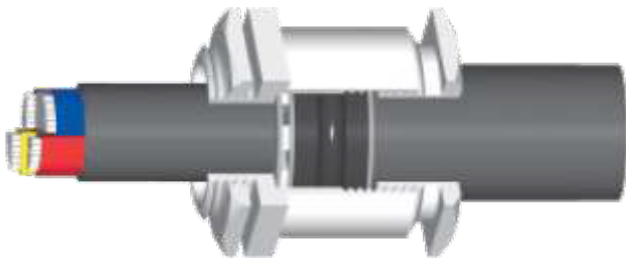


- ▶ Electric Power Generation & Distribution
- ▶ Control Panels, Switchgears, Transformers
- ▶ Satellite & Communication Industries

- ▶ Iron & Steel Industries
- ▶ Railways
- ▶ Petroleum Industries
- ▶ Shipping Industries

- ▶ Chemical Industries
- ▶ Textile Industries
- ▶ Fertilizer Industries
- ▶ Defence Industries & Other Industries

Axelon Single Compression Light Duty Glands

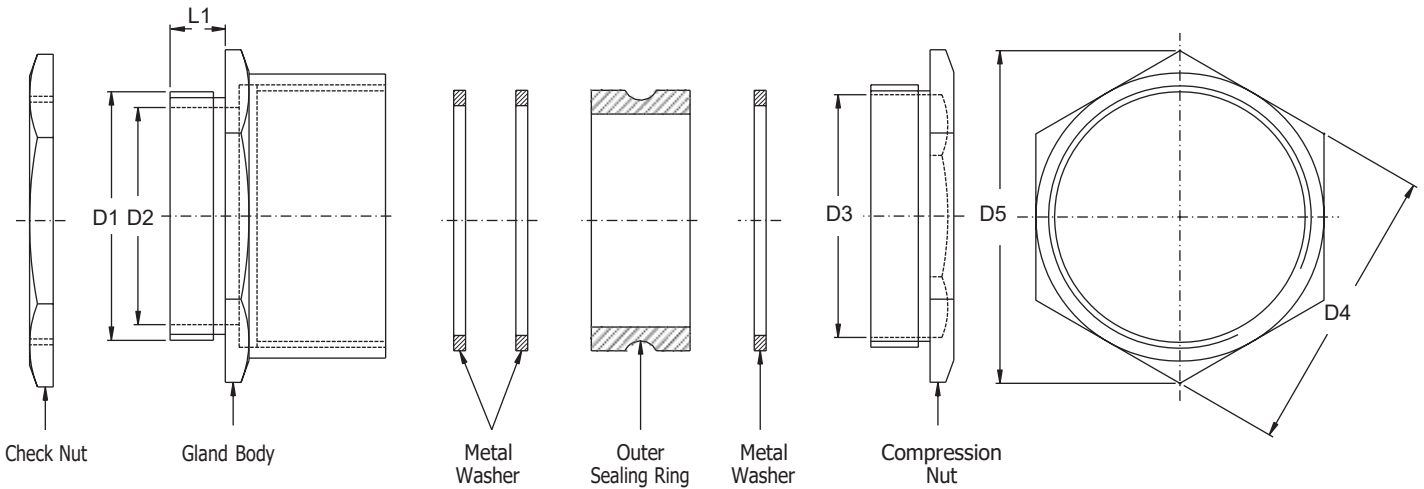


Technical Data:

Material : Brass
 Plating : Nickle Plated
 Entry Threads : BSC Standard
 Sealing Rubber Ring : Natural

Application:

Used in normal climatic condition for armoured and unarmoured cables.



Suitable Cable Overall Dia		Size		D1 Nipple Entry	D2 Dia	D3 Dia	D4 (A/F)	D5 (A/C)	L1 Length
From	To	mm	inches	inches	Ø mm	Ø mm	mm	mm	mm
8.0	12.0	10	3/8"	5/8"	12	12.5	18.0	20.5	6.0
12.5	15.5	12	1/2"	5/8"	12.5	15.5	19.0	22.0	5.5
12.5	15.5	16	5/8"	3/4"	15	16	19.0	22.0	5.5
16.0	18.0	19	3/4"	3/4"	15	18	21.5	25.0	6.0
18.5	20.0	22	7/8"	3/4"	15	20.5	24.5	28.5	6.5
20.5	23.5	25	1"	1"	21	23.5	27.0	31.0	8.0
24.0	27.0	28	1 1/8"	1 1/8"	24.5	27.5	33.0	38.0	8.0
27.5	30.0	32	1 1/4"	1 1/4"	27	31.5	36.0	41.0	8.5
30.5	34.0	35	1 3/8"	1 3/8"	29.5	35.5	40.5	46.0	9.0
34.5	38.0	38	1 1/2"	1 1/2"	33	38	44.0	50.0	10.0
38.5	43.0	45	1 3/4"	1 3/4"	38.5	44.5	49.0	57.0	10.0
43.5	50.0	50	2"	2"	45	52	56.0	64.5	11.0
50.5	56.0	57	2 1/4"	2 1/4"	51	57.5	63.0	72.0	11.0
56.5	60.0	63	2 1/2"	2 1/2"	57	63	67.0	78.0	11.0
60.5	68.0	70	2 3/4"	2 3/4"	63	69	74.0	85.0	11.0
68.5	74.0	75	3"	3"	69	75	81.0	92.5	12.0
74.5	79.0	82	3 1/4"	3 1/4"	76	81.5	89.0	102.0	12.5
79.5	83.0	88	3 1/2"	3 1/2"	77	84	96.0	110.0	15.0
83.5	96.0	100	4"	4"	90.5	99	110.0	126.0	16.0

Axelon Single Compression Type Heavy Duty Cable Gland (SIBG Series)



Technical Data:

Material	: Brass (IS-319) Standard (Al. / S.S. / M.S. also available)
Plating	: Nickle Plated Standard (Chrome also available)
Entry Threads	: BSC Standard (PG / Metric / NPT / BSP / also available) Sealing Rubber Ring : Synthetic / Natural

Application:

For use under most climatic conditions and generally for indoor use. These are Weather proof and may be used in the corrosive condition when protected by a shroud..

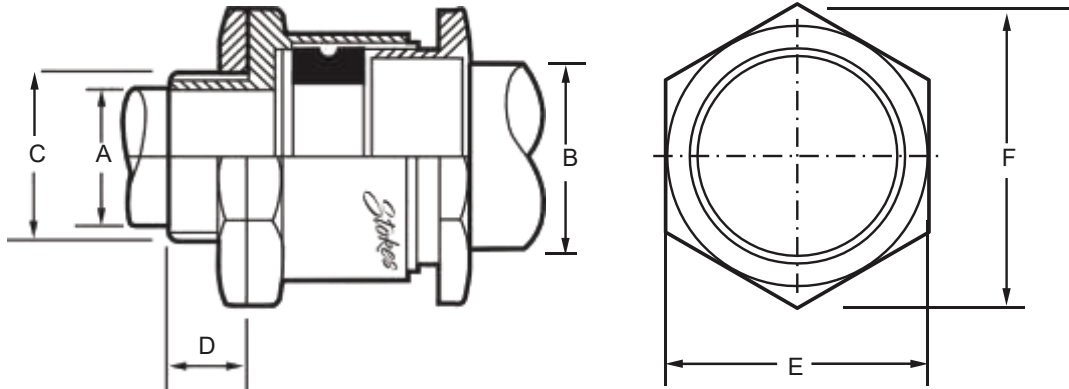
Accessories:

Shrouds and Earth tags are supplied separately and should be specified when ordering the gland.

Fitting Sequence:

- (a) Pass the Compression Nut (Part-5), one Metal Washer (Part-3) & Outer Seal Ring (Part-4) in succession order over the outer sheath of the cable before commencing to strip the cable.
- (b) Remove the outer sheath to the desired length depending on the length of the beds required.
- (c) Pass the 2nd Metal Washer (Part-3) over the exposed armour and then splay out the armour wire one by one. Now cut the armour wire according to the size of the metal washer and bend the same. Pass the 3rd Metal Washer (Part-3) over the inner sheath and place it over the bended armour, so that the armour wires are now secured between the two Metal Washer.
- (d) Push the assembly through the Gland Body (Part-2) and tighten the Compression Nut (Part-5). While doing so the outer seal ring will expand in radial direction and will grip the cable. This will ensure dust proof entry of the cable.
- (e) Finally apply the fitted gland assembly to the extreme with the entry thread provided, if the enclosure does not have threaded entry than tight the gland assembly with the Check Nut (Part-1).

Axelon Single Compression Type Heavy Duty Cable Gland (SIBG Series)



Cable Dimensions			Gland Dimensions			
SIBG SERIES	A (Under armour Dia) mm	B (Over all Dia) mm	Entry Thread		E (Across Flat) mm	F (Across Corner) mm
			C (Inches)	D (Length) mm		
1616	9.0	15.0	5/8"	8.5	25.0	29.0
1619	10.0	15.0	3/4"	8.5	25.0	29.0
2119	14.0	20.0	3/4"	9.5	30.5	35.0
2125	14.0	20.0	1"	9.5	30.5	35.0
2925	20.0	26.0	1"	10.0	40.0	46.0
2932	24.0	29.0	1.1/4"	10.0	40.0	46.0
2938	24.0	29.0	1.1/2"	10.0	40.0	46.0
3638	31.0	37.0	1.1/2"	11.0	49.0	56.0
4251	36.0	42.0	2"	11.0	60.0	68.0
5451	44.0	50.0	2"	12.0	67.0	77.0
5463	44.0	50.0	2.1/2"	12.0	67.0	77.0
6063	54.0	60.0	2.1/2"	12.0	78.0	88.0
6675	60.0	66.0	3"	13.0	84.0	96.0
7882	70.0	77.0	3.1/4"	14.0	98.0	112.0

Axelon Double Compression Weatherproof Cable Glands



Technical Data:

Material	: Brass (IS-319) Standard (Al. / S.S. / M.S. also available)
Plating	: Nickle Plated Standard (Chrome / Cadmium / Tin also available)
Entry Threads	: BSC Standard (PG / Metric / NPT / BSP / also available)
Sealing Rubber Ring	: Nitrile / Neoprene
Gland Standard	: As per IEC
60529 Ingress Protection	: IP 66
Test Certi. No.	: CIMFR/TR22/R/H35
Series	: SIW

Application:

Weather Proof Double Compression Glands are weather proof and dust proof (IP-66) which can be used in normal climatic condition. Also when protected by PVC shrouds it can be used in corrosive atmosphere.

These glands are available in different sizes and are suitable for all cables upto 1000 sq. mm. and control cables upto 61 cores.

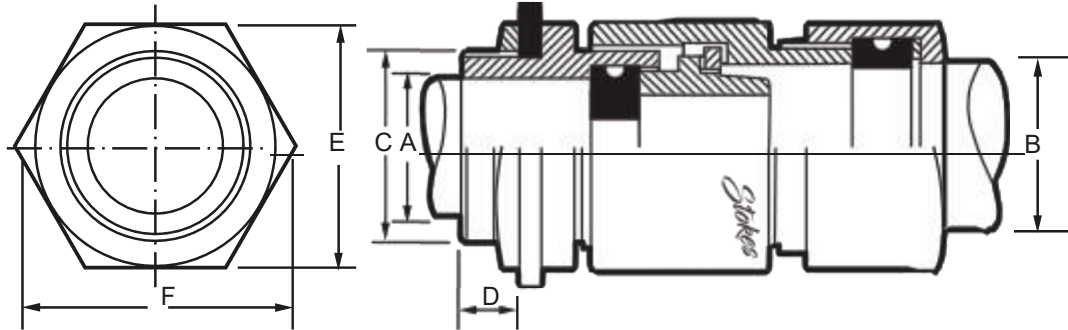
Accessories:

PVC Shroud, Earth Tag, Stopping Plug, Reducer, Adaptor, etc. are available with specified dimensions in accordance to the Gland separately.

Fitting Sequence:

- (a) Insert Part No. 9, 8 & 7 respectively on the Outer Sheath of the cable before exposing the Armour.
- (b) After removing Outer Sheath of the cable, Insert Part No. 6 over the Exposed Armour.
- (c) Size Armour length, Lift Armour & Insert Part No. 5 under the Armour, Taper Part Facing Inward Side, Squeeze Part No. 6 by pushing Part No. 5 towards it.
- (d) Insert Part No. 4 & 3 on Inner Sheath, then tight Part No. 3 with Part No. 7 & Tight Part No. 9 with Part No. 7.
- (e) Finally apply the full fitted Gland in the Enclosure with the entry thread provided, if the Enclosure does not have thread-ed entry than tight the Gland with the Part No. 1 provided.

Axelon Weatherproof Type Double Compression Cable Gland Suitable for Armoured Cables



Cable Dimensions				Gland Dimensions				
SIW SERIES	A (Under armour Dia) mm	B (Over all Dia) mm	Armour diameter mm	Entry Thread		D (Length) mm	E (Across Flat) mm	F (Across Corner) mm
				C				
				(ET)	(MM)			
SIW01SS	8.0	12.0	0.8/1.4	3/4"	M20	15.0	21.5	24.5
SIW01S	11.0	16.5	0.8/1.4	3/4"	M20	15.0	25.0	29.0
SIW01	12.0	18.0	0.8/1.4	3/4"	M20	15.0	28.0	32.0
SIW01A	12.0	18.0	0.8/1.4	1"	M25	15.0	28.0	32.0
SIW02	14.0	20.0	0.8/1.4	1"	M25	15.0	31.5	36.5
SIW02A	14.0	20.0	0.8/1.4	3/4"	M20	15.0	31.5	36.5
SIW03	17.0	23.0	0.8/1.4	1"	M25	15.0	32.0	37.0
SIW04	20.0	26.0	0.8/1.4	1"	M25	15.0	38.0	44.0
SIW04A	20.0	26.0	0.8/1.4	1.1/4"	M32	15.0	38.0	44.0
SIW05	24.0	30.0	0.8/1.4	1.1/4"	M32	15.0	41.0	47.0
SIW05A	24.0	30.0	0.8/1.4	1.1/2"	M40	15.0	41.0	47.0
SIW06	27.0	33.0	0.8/1.4	1.1/2"	M40	15.0	47.0	54.0
SIW06A	27.0	33.0	0.8/1.4	1.1/4"	M32	15.0	47.0	54.0
SIW07	30.0	37.0	0.8/1.4	1.1/2"	M40	15.0	52.0	58.0
SIW08	35.0	41.0	0.8/1.4	2"	M50	15.0	56.0	64.0
SIW09	40.0	46.0	0.8/1.4	2"	M50	15.0	59.0	67.0
SIW010	46.0	52.0	0.8/1.4	2"	M50	20.0	66.5	77.0
SIW010A	46.0	52.0	0.8/1.4	2.1/2"	M63	20.0	66.5	77.0
SIW011S	50.0	56.0	0.8/1.4	2.1/2"	M63	20.0	74.0	85.0
SIW011	54.0	60.0	0.8/1.4	2.1/2"	M63	20.0	80.0	92.0
SIW012	60.0	66.0	0.8/1.4	3"	M75	20.0	85.0	97.0
SIW013A	66.0	72.0	0.8/1.4	3"	M75	20.0	90.0	103.0
SIW013	72.0	78.0	0.8/1.4	3.1/4"	M82	20.0	99.0	113.0
SIW014	78.0	84.0	0.8/1.4	3.1/2"	M90	20.0	105.0	122.0
SIW015	88.0	94.0	0.8/1.4	4"	M100	20.0	117.0	135.0
SIW016	98.0	105.0	0.8/1.4	4.1/2"	M110	20.0	130.0	149.0

Axelon Double Compression Weatherproof Cable Gland Suitable for Un-Armoured Cables



Technical Data:

Material	: Brass (IS-IS/IEC 60529) Standard (Al. / S.S. / M.S. also available)
Plating	: Nickle Plated Standard (Chrome / Cadmium / Tin also available)
Entry Threads	: BSC Standard (PG / Metric / NPT / BSP / also available)
Sealing Rubber Ring	: Nitrile / Neoprene
Gland Standard	: IEC 60529
Ingress Protection	: IP 66
Test Certi. No.	: CIMFR/TR22/R/H35
Series	: SIW

Application:

Weatherproof Double Compression Glands are weather proof and dust proof (IP-66) which can be used generally for un-armoured cables & outdoor use in normal climatic condition. Also when protected by PVC shrouds it can be used in corrosive atmosphere. These glands are available in different sizes and are suitable for all cables upto 1000 sq.mm. and control cables upto 61 crores.

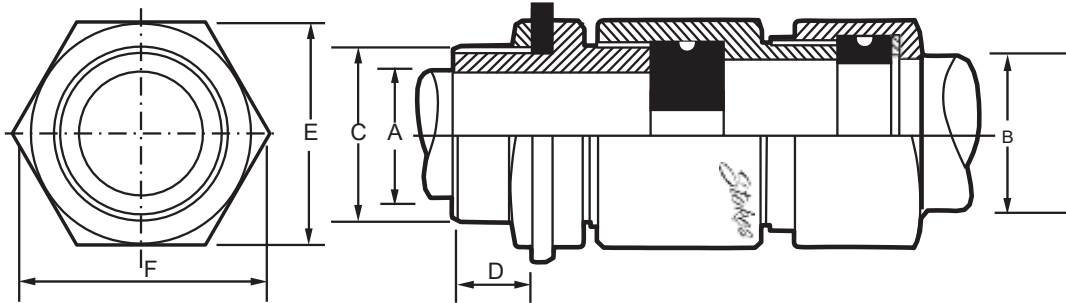
Accessories:

PVC Shroud, Earth Tag, Stopping Plug, Reducer, Adaptor, etc., are available with specified dimensions in accordance to the Gland separately.

Fitting Sequence:

- (a) Pass item 7,6,5,4 & 3 respectively over cable
- (b) Engage item 5 and 3 and tighten up.
- (c) Engage item 7 and 5 and tighten up.
- (d) Screw item 3, 2 into apparatus (secure with item 1 if plainhole entry.)







Axelon Weatherproof Type Double Compression Cable Gland Suitable for Un-Armoured Cables



Cable Dimensions			Gland Dimensions			
SIW SERIES	A (Dia) mm	B (Dia) mm	Entry Thread		E (Across Flat) mm	F (Across Corner) mm
			C (Inches) mm	D (Length) mm		
SIW01SS (UN)	13.0	13.0	3/4"	15.0	21.5	24.5
SIW01S (UN)	14.5	14.5	3/4"	15.0	25.0	29.0
SIW01A (UN)	18.0	18.0	1"	15.0	28.0	32.0
SIW02 (UN)	20.0	20.0	1"	15.0	31.5	36.5
SIW03SP (UN)	23.0	23.0	M28/1"	15.0	32.0	37.0
SIW04A (UN)	26.0	26.0	1-1/4"	15.0	38.0	44.0
SIW05A (UN)	30.0	30.0	1-1/2"	15.0	41.0	47.0
SIW06SP (UN)	33.0	33.0	M40/1-1/2"	15.0	47.0	54.0
SIW07SP (UN)	36.0	36.0	M42/1-1/2"	15.0	52.0	58.0
SIW08 (UN)	41.0	41.0	2"	15.0	56.0	64.0
SIW09 (UN)	44.0	44.0	2"	15.0	59.0	67.0
SIW010A (UN)	52.0	52.0	2"	20.0	66.5	77.0
SIW011SP (UN)	60.0	60.0	M70/2-1/2"	20.0	80.0	92.0
SIW012 (UN)	66.0	66.0	3"	20.0	85.0	97.0
SIW013 (UN)	72.0	72.0	3-1/4"	20.0	90.0	103.0
SIW014 (UN)	80.0	80.0	3-1/2"	20.0	105.0	122.0
SIW015 (UN)	90.0	90.0	4"	20.0	117.0	135.0

Axelon Double Compression Flameproof Cable Glands (Gas Group IIA & IIB)



- 1 ▶ 
Check Nut
- 2 ▶ 
Entry Seal
- 3 ▶ 
Nipple Entry Part
- 4 ▶ 
Inner Seal Ring
- 5 ▶ 
Armour Clamping Cone
- 6 ▶ 
Armour Clamping Ring
- 7 ▶ 
Main Gland Body
- 8 ▶ 
Outer Seal Ring
- 9 ▶ 
Compression Nut

Technical Data:

Material	: Brass (IS-319) Standard (Al. / S.S. / M.S. also available)
Plating	: Nickle Plated Standard (Chrome / Cadmium / Tin also available)
Entry Threads	: BSC Standard (PG / Metric / NPT / BSP / also available)
Sealing Rubber Ring	: Nitrile / Neoprene
Gland Standard	: IEC 60079
Ingress Protection	: IP 66
Test Certi. No.	: CIMFR/TR22/R/H558
Series	: SIW

Application:

Flame Proof Double Compression Glands are generally used in flammable gas / vapours area (for gas group IIA & IIB) as well as in normal climatic conditions also which are weather proof, water proof and dust proof (IP-66) which can be used in Hazardous climatic condition. Also when protected by PVC shrouds it can be used in corrosive atmosphere.

These glands are available in different sizes and are suitable for all cables upto 1000 sq. mm. and control cables upto 61 cores.

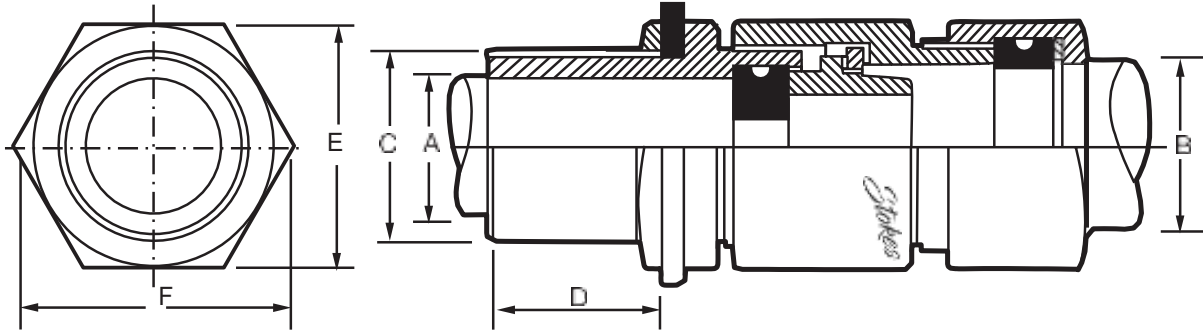
Accessories:

PVC Shroud, Earth Tag, Stopping Plug, Reducer, Adaptor, etc. are available with specified dimensions in accordance to the Gland separately.

Fitting Sequence:

- (a) Insert Part No. 9, 8 & 7 respectively on the Outer Sheath of the cable before exposing the Armour.
- (b) After removing Outer Sheath of the cable, Insert Part No. 6 over the Exposed Armour.
- (c) Size Armour length, Lift Armour & Insert Part No. 5 under the Armour, Taper Part Facing Inward Side, Squeeze Part No. 5 by pushing Part No. 6 towards it.
- (d) Insert Part No. 4 & 3 on Inner Sheath, then tight Part No. 3 with Part No. 7 & Tight Part No. 9 with Part No. 7.
- (e) Finally apply the full fitted Gland in the Enclosure with the entry thread provided, if the Enclosure does not have threaded entry than tight the Gland with the Part No. 1 provided.

Axelon Flameproof Type Double Compression Cable Gland suitable for Armoured Cables (Gas Group IIA / IIB)



Cable Dimensions				Gland Dimensions				
SIF SERIES	A (Under armour Dia) mm	B (Over all Dia) mm	Armour diameter mm	Entry Thread			E (Across Flat) mm	F (Across Corner) mm
				C		D (Length) mm		
				(ET)	(MM)			
SIF01SS	8.0	12.0	0.8/1.4	3/4"	M20	25.0	21.5	24.5
SIF01S	11.0	16.5	0.8/1.4	3/4"	M20	25.0	25.0	29.0
SIF01	12.0	18.0	0.8/1.4	3/4"	M20	25.0	28.0	32.0
SIF01A	12.0	18.0	0.8/1.4	1"	M25	25.0	28.0	32.0
SIF02	14.0	20.0	0.8/1.4	1"	M25	25.0	31.5	36.5
SIF02A	14.0	20.0	0.8/1.4	3/4"	M20	25.0	31.5	36.5
SIF03	17.0	23.0	0.8/1.4	1"	M25	25.0	32.0	37.0
SIF04	20.0	26.0	0.8/1.4	1"	M25	25.0	38.0	44.0
SIF04A	20.0	26.0	0.8/1.4	1.1/4"	M32	25.0	38.0	44.0
SIF05	24.0	30.0	0.8/1.4	1.1/4"	M32	25.0	41.0	47.0
SIF05A	24.0	30.0	0.8/1.4	1.1/2"	M40	25.0	41.0	47.0
SIF06	27.0	33.0	0.8/1.4	1.1/2"	M40	25.0	47.0	54.0
SIF06A	27.0	33.0	0.8/1.4	1.1/4"	M32	25.0	47.0	54.0
SIF07	30.0	37.0	0.8/1.4	1.1/2"	M40	25.0	52.0	58.0
SIF08	35.0	41.0	0.8/1.4	2"	M50	25.0	56.0	64.0
SIF09	40.0	46.0	0.8/1.4	2"	M50	25.0	59.0	67.0
SIF010	46.0	52.0	0.8/1.4	2"	M50	25.0	66.5	77.0
SIF010A	46.0	52.0	0.8/1.4	2.1/2"	M63	25.0	66.5	77.0
SIF011S	50.0	56.0	0.8/1.4	2.1/2"	M63	25.0	74.0	85.0
SIF011	54.0	60.0	0.8/1.4	2.1/2"	M63	25.0	80.0	92.0
SIF012	60.0	66.0	0.8/1.4	3"	M75	25.0	85.0	97.0
SIF013A	66.0	72.0	0.8/1.4	3"	M75	25.0	90.0	103.0
SIF013	72.0	78.0	0.8/1.4	3.1/4"	M82	25.0	99.0	113.0
SIF014	78.0	84.0	0.8/1.4	3.1/2"	M90	25.0	105.0	122.0
SIF015	88.0	94.0	0.8/1.4	4"	M100	25.0	117.0	135.0
SIF016	98.0	105.0	0.8/1.4	4.1/2"	M110	25.0	130.0	149.0

Axelon Double Compression Light Duty Glands

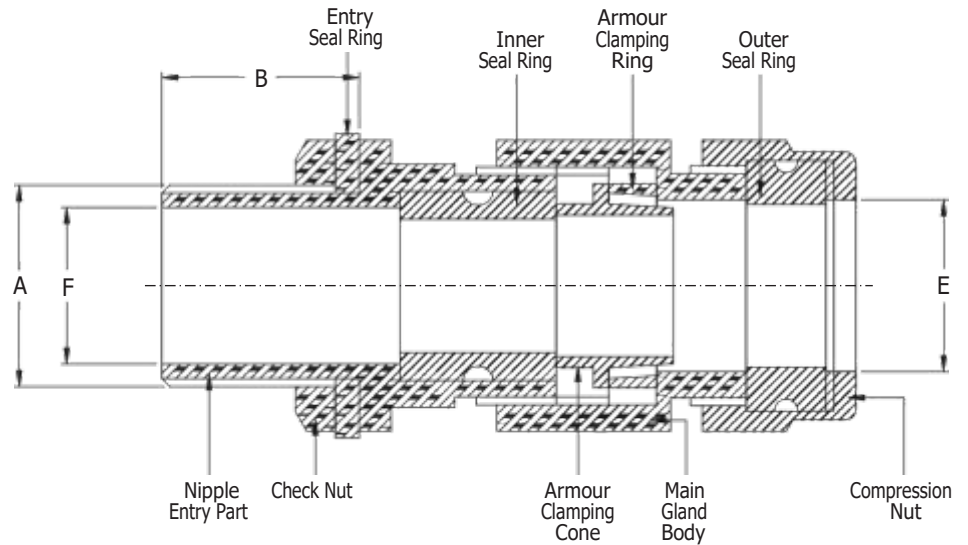
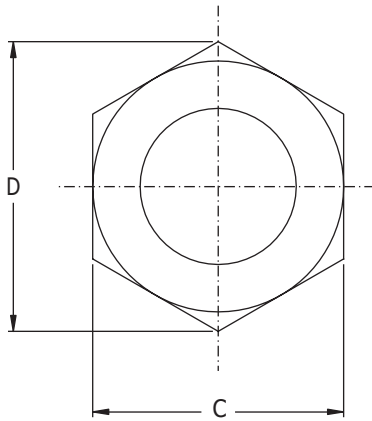


Technical Data:

Material : Brass
 Plating : Nickle Plated Standard
 Entry Threads : Chrome also available
 BSC (ET) Standard

Application:

Used in normal climatic condition for Armoured cables.



Suitable Cable Overall Dia		Size		A Nipple Entry (ET)	B Length	C (A/F)	D (A/C)	E Dia	F Dia
From	To	mm	inches	inches	mm	mm	mm	Ø mm	Ø mm
7.0	10.0	10	3/8"	5/8"	25	19	22	10.0	7
10.0	12.0	12	1/2"	5/8"	25	21	24	12.0	10
12.0	16.0	16	5/8"	3/4"	25	21	24	16.0	12
16.0	18.0	19	3/4"	3/4"	25	24	28	18.0	14
18.0	20.0	22	7/8"	3/4"	25	26	30	20.0	15
20.0	23.0	25	1"	1"	25	30	34	23.0	17
23.0	26.0	28	1 1/8"	1 1/8"	25	34	39	26.0	21
26.0	30.0	32	1 1/4"	1 1/4"	25	39	45	30.0	25
30.0	33.0	35	1 3/8"	1 1/2"	25	42	48	33.0	26
33.0	36.0	38	1 1/2"	1 1/2"	25	46	52	36.0	31
36.0	41.0	45	1 3/4"	2"	25	55	63	41.0	41
41.0	46.0	50	2"	2"	25	58	66	46.0	42
46.0	53.0	57	2 1/4"	2 1/4"	25	65	75	53.0	49
53.0	61.0	63	2 1/4"	2 1/2"	25	74	85	61.0	56
61.0	67.0	70	2 3/4"	2 3/4"	25	82	93	67.0	61
67.0	72.0	75	3"	3"	25	85	98	72.0	64
72.0	77.0	82	3 1/4"	3 1/4"	25	90	104	77.0	70

Axelon Metal Type Brass PG & Metric Glands for Flexible Cables



PG SERIES



METRIC SERIES

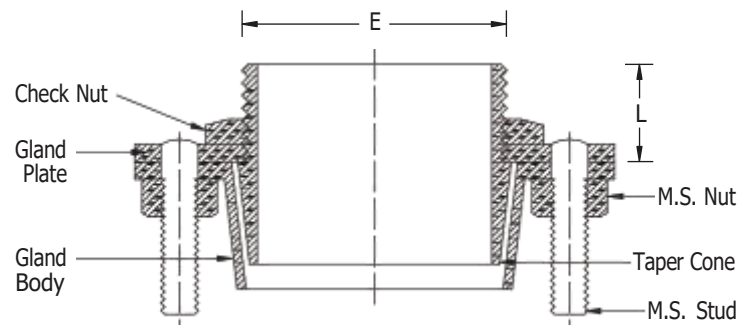
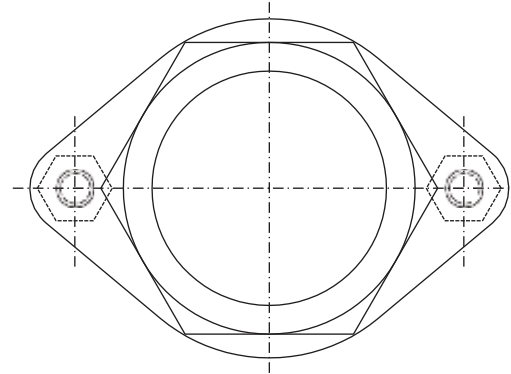
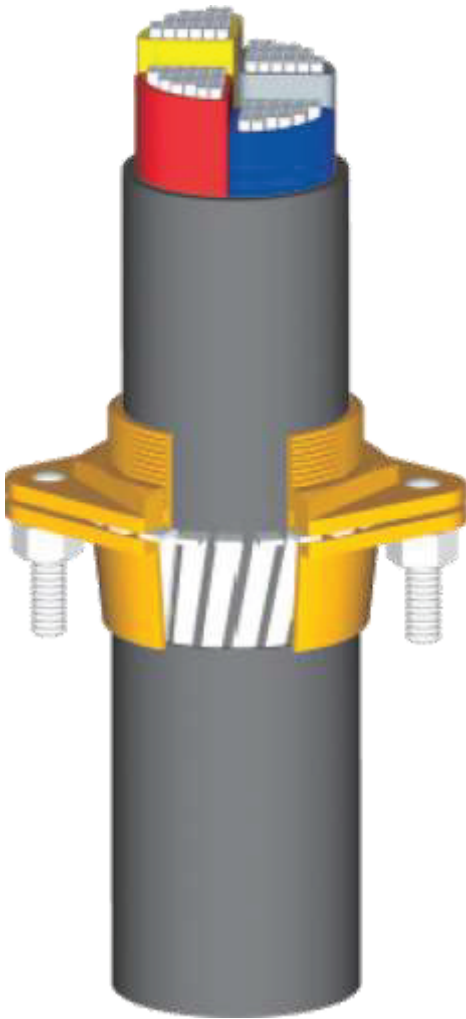
Technical Data:

Material	: Brass as per IS 319
Plating	: Nickel Standard
Entry Threads	: Metric / PG
Rebber Seals (self extinguishing)	: Polyamide 6 insert Neoprene seal Neoprene 0
ring Ingress Protection	: IP67/68
Series	: SIP68

"AXELON" METAL TYPE BRASS PG & METRIC GLAND FOR FLEXIBLE CABLES

Size	Material Code	Clamping in mm	Entry thread	Wrench size	Max.Ass Length
PG7	SIP68-PG7	3.0 - 6.5	5.0	14	25.0
PG9	SIP68-PG9	5.0 - 8.0	6.0	17	29.0
PG11	SIP68-PG11	5.0 -10.0	6.0	20	30.0
PG13.5	SIP68-PG13.5	7.0 - 11.0	6.5	22	30.0
PG16	SIP68-PG16	10.0 - 14.0	6.5	24	31.0
PG21	SIP68-PG21	13.0 - 18.0	6.5	30	37.0
PG29	SIP68-PG29	18.0 - 25.0	9.0	40	42.0
PG36	SIP68-PG36	26.0 - 31.0	7.0	50	44.0
PG42	SIP68-PG42	30.0 - 36.0	8.0	57	51.0
PG48	SIP68-PG48	36.0 - 44.0	8.5	64	51.0
M12	SIP68-M12	4.0 - 6.5	5.0	14	24.5
M16	SIP68-M16	4.0 - 8.0	6.0	18	29.0
M20	SIP68-M20	7.0 - 12.0	8.0	22	33.0
M25	SIP68-M25	9.0 - 16.0	8.0	27	37.0
M32	SIP68-M32	12.0 - 20.0	8.0	34	37.0
M40	SIP68-M40	20.0 - 28.0	7.0	43	43.0
M50	SIP68-M50	28.0 - 35.0	8.0	55	49.0
M63	SIP68-M63	36.0 - 48.0	9.0	65	54.0
M70	SIP68-M70	42.0 - 53.0	15.0	74	59.0
M75	SIP68-M75	43.0 - 63.0	15.0	79	59.0
M80	SIP68-M80	59.0 - 68.0	15.0	85	62.0

Axelon Flange Type Cable Glands



Technical Data:

Material : Brass
 Plating : Brass
 Entry Threads : ET / BSC

Application:

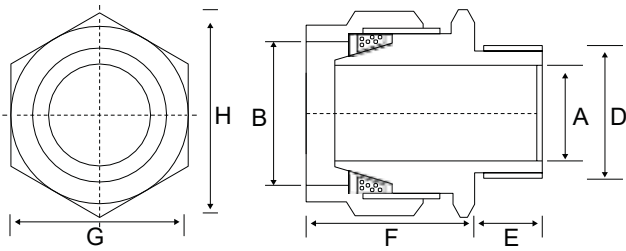
Generally for armoured cable and outdoor use. Flange Type Cable Glands are made out of brass castings and are machined accurately to the required sizes. These glands are suitable for armoured cables and are called mechanical glands hence suitable for outdoor application.

The gland comprises of brass body (flange type oval shape) and plate clamped with galvanised mild steel studs and nuts for clamping the armour. Tapered cone and nut are provided for termination of cable. The cone and body taper is designed for giving a firm grip to the armour of the cable.

Size	E Dia.	L Length	Suitable Cable Overall Dia.	
Code	Ø mm	mm	From	To
FL 5	15.0	13.0	12.0	16.5
FL 4	19.0	13.0	15.0	19.0
FL 3	19.5	13.0	18.5	20.5
FL 2	25.0	16.5	20.5	24.5
FL 1	31.0	15.5	24.0	30.0
FL 11	31.0	15.0	29.5	34.0
FL 0	37.5	21.0	32.5	35.0
FL 00	37.5	20.0	34.5	38.0
FL 38	42.0	21.5	37.0	42.0
FL 001	49.0	20.5	40.5	44.0
FL 002	53.5	21.5	43.5	52.0
FL 003	60.0	23.0	51.0	58.0
FL 0033	65.0	25.5	56.5	67.0
FL 004	75.0	22.5	66.0	76.0
FL 005	99.0	22.5	75.0	83.0

Tolerance ± 1mm

Axelon BW Cable Glands (4 Part)



Technical Data :

Material	: Brass as per IS 319
Plating	: Nickel Standard Chrome on request
Entry Threads	: Metric Standard Also available in BSC/PG/NPT/BSP/ET
Sealing Rubber Ring	: Nitrile/Neoprene/Natural

Application :

For use with armoured or braided cable, provides mechanical cable retention and electrical continuity via armoured wire termination. These glands are mainly used in dry and indoor conditions.

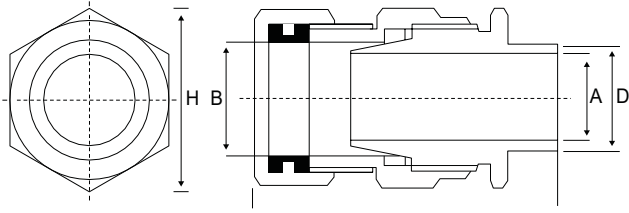
Design Features :

3 part armour lock with cone and lock ring provided for additional grip to the armour.



Size	Cable Dimensions Accommodate		Gland Dimensions					Product Code
	Under Armour Dia. A Max. mm	Overall Dia. B Max mm	ISO Entry Thread		Approx length from shoulder F mm	Hexagon Size		
			Dia D mm	Length E mm		Across Flat G mm	Across Corners H mm	
16 S	8.00	12.00	M 16	9.00	20.00	20.00	22.00	SBW -16 S
16 L	8.60	13.50	M 16	9.00	20.00	20.00	22.00	SBW - 16 L
20 S	12.50	17.00	M 20	9.00	20.00	22.00	24.00	SBW - 20 S
20 L	14.30	20.00	M 20	9.00	20.00	24.00	26.50	SBW - 20 L
25 S	19.00	23.25	M 25	9.00	22.00	30.50	33.50	SBW - 25 S
25 L	20.40	27.00	M 25	9.00	22.00	32.00	35.50	SBW - 25 L
32 S	27.00	28.50	M 32	9.00	25.00	40.00	44.00	SBW - 32 S
32 L	27.50	33.50	M 32	9.00	25.00	40.00	44.00	SBW - 32 L
40 S	31.50	37.50	M 40	13.00	25.00	44.50	49.00	SBW - 40 S
40 L	33.00	41.50	M 40	13.00	25.00	48.00	53.50	SBW - 40 L
50 S	40.00	48.00	M 50	13.00	28.00	56.50	63.00	SBW - 50 S
50 L	44.50	54.00	M 50	13.00	30.00	60.50	67.50	SBW - 50 L
63 S	51.00	60.50	M 63	13.00	33.00	69.50	77.50	SBW - 63 S
63 L	56.00	65.00	M 63	13.00	33.00	74.50	83.50	SBW - 63 L
75 S	63.00	72.00	M 75	13.00	40.00	83.00	93.00	SBW - 75 S
75 L	67.00	78.50	M 75	14.00	40.00	89.50	99.50	SBW - 75 L
90 S	75.00	85.00	M 90	17.50	48.00	100.00	110.00	SBW - 90 S
90 L	78.40	88.50	M 90	17.50	48.00	102.00	115.00	SBW - 90 L

Axelon CW Cable Glands (4 Part)



Technical Data

- : Brass as per IS 319
- Material : Nickel Standard Chrome on request
- Plating : Metric Standard Also available in BSC/PG/NPT/BSP/ET
- Entry Threads : Nitrile/Neoprene/Natural
- Sealing Rubber Ring

Application :

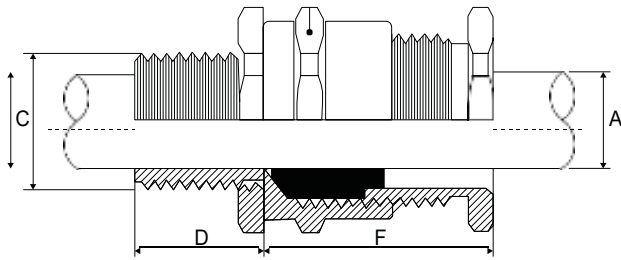
For use with armoured or braided cable, provides environmental seal on the cable outer sheath. Also provides mechanical cable retention and electrical continuity via armoured wire termination. These glands are mainly used in outdoor and Indoor conditions.

Design Features :

4 part armour lock with cone and lock ring provided for additional grip to the armour.

Size	Cable Dimensions Accommodate		Gland Dimensions					Product Code
	Under Armour Dia. A Max. mm	Overall Dia. B Max mm	ISO Entry Thread		Approx length from shoulder F mm	Hexagon Size		
			Dia D mm	Length E mm		Across Flat G mm	Across Corners H mm	
16 S	9.00	12.00	M 16	10.00	40.00	20.00	22.00	SCW - 16 S
16 L	9.00	12.00	M 16	10.00	40.00	20.00	22.00	SCW - 16 L
20 S	12.50	15.00	M 20	10.00	42.00	22.00	24.00	SCW - 20 S
20 L	14.30	19.00	M 20	10.00	42.00	26.00	29.00	SCW - 20 L
25 S	18.50	23.60	M 25	10.00	44.00	32.00	36.00	SCW - 25 S
25 L	20.70	27.00	M 25	10.00	44.00	34.90	38.00	SCW - 25 L
32 S	27.00	32.00	M 32	11.00	46.00	41.00	45.50	SCW - 32 S
32 L	27.00	32.50	M 32	11.00	46.00	41.00	45.50	SCW - 32 L
40 S	32.50	38.00	M 40	13.00	50.00	49.50	55.00	SCW - 40 S
40 L	33.00	39.00	M 40	13.00	50.00	48.50	53.50	SCW - 40 L
50 S	39.80	47.00	M 50	13.00	57.00	51.00	61.00	SCW - 50 S
50 L	44.50	51.00	M 50	13.00	57.00	62.50	69.00	SCW - 50 L
63 S	50.50	58.00	M 63	14.00	70.00	72.00	78.50	SCW - 63 S
63 L	56.50	62.00	M 63	14.00	61.00	76.00	83.50	SCW - 63 L
75 S	63.50	69.00	M 75	14.00	65.00	83.50	94.00	SCW - 75 S
75 L	68.00	77.50	M 75	15.00	66.00	91.00	101.00	SCW - 75 L
90 S	77.00	86.00	M 90	17.00	80.00	100.00	110.00	SCW - 90 S
90 L	80.00	89.00	M 90	17.00	82.00	102.00	114.00	SCW - 90 L

Axelon A1/A2 Cable Glands



Technical Data :

Material : Brass as per IS 319
 Plating : Nickel Standard Chrome on request
 Entry Threads : Metric Standard Also available in BSC/PG/NPT/BSP/ET
 Sealing Rubber Ring : Nitrile/Neoprene/Natural

Application :

For use with all unarmoured cables with rubber sheath. Secures outer sheath of cable. Displacement seal concept makes it suitable for Indoor and Outdoor application.

Design Features :

Outer displacement seal.

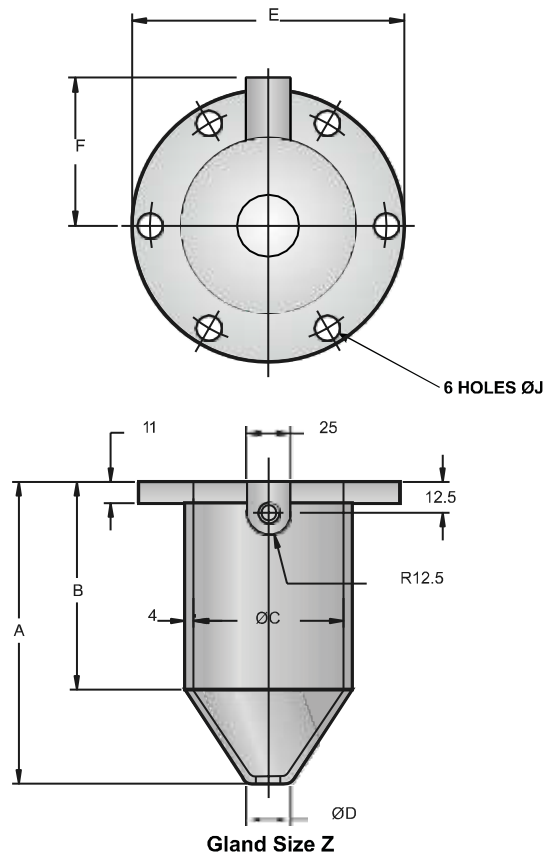
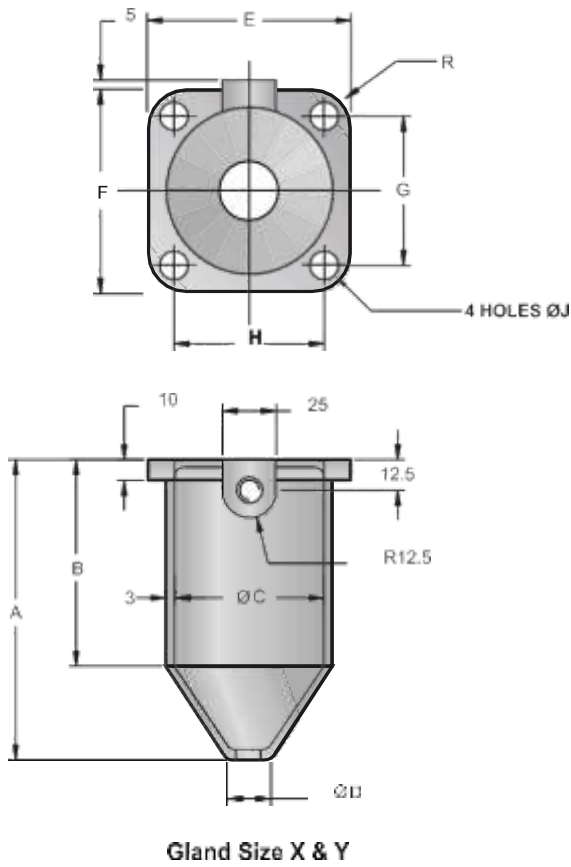
Size	Cable Dimensions Accommodate		Gland Dimensions					Product Code
	Under Armour Dia. A Max. mm	Overall Dia. B Max mm	ISO Entry Thread		Approx length from shoulder F mm	Hexagon Size		
			Dia D mm	Length E mm		Across Flat G mm	Across Corners H mm	
16 S	3.50	7.00	M 16	10.00	20.00	21.00	24.00	SA2 -16 S
16 L	4.50	8.50	M 16	10.00	22.00	21.00	24.00	SA2 - 16 L
20 S	8.00	12.00	M 20	10.00	24.00	22.00	24.50	SA2 - 20 S
20 L	12.00	16.00	M 20	10.00	24.00	24.00	27.00	SA2 - 20 L
25 S	16.50	20.00	M 25	15.00	25.00	27.00	30.00	SA2 - 25 S
25 L	18.00	21.50	M 25	15.00	26.00	30.00	33.00	SA2 - 25 L
32 S	21.00	24.00	M 32	15.00	28.00	34.50	38.00	SA2 - 32 S
32 L	23.00	28.00	M 32	15.00	28.00	38.00	42.50	SA2 - 32 L
40 S	28.00	32.50	M 40	19.00	31.00	42.00	47.00	SA2 - 40 S
40 L	31.00	34.50	M 40	19.00	31.00	45.00	50.00	SA2 - 40 L
50 S	35.00	41.00	M 50	19.00	33.00	55.00	61.00	SA2 - 50 S
50 L	41.00	45.00	M 50	19.00	33.00	61.50	68.00	SA2 - 50 L
63 S	45.50	53.00	M 63	20.00	35.00	69.00	76.00	SA2 - 63 S
63 L	52.00	56.00	M 63	20.00	35.00	71.50	79.00	SA2 - 63 L
75 S	55.00	62.00	M 75	16.00	35.00	77.00	85.00	SA2 - 75 S
75 L	62.00	70.00	M 75	20.00	35.00	88.00	96.00	SA2 - 75 L
90 S	70.00	75.00	M 90	20.00	50.00	100.00	112.00	SA2 - 90 S
90 L	75.00	78.00	M 90	20.00	50.00	100.00	112.00	SA2 - 90 L
100 L	78.00	89.00	M 100	22.00	50.00	112.00	125.00	SA2 - 100

Axelon Brass Wiping Cable Glands

(For medium voltage power cables)



Gland Size	X	Y	Z
Part Number	AWX	AWY	AWZ
Dia over metal sheath of cable (mm)	12 to 51	25 to 78	25 to 94
A	137	155	195
B	90	95	140
Ø C	60	89	108
Ø D	19	32	32
E	90	114	190
F	90	123	100
G	66	95	-
H	66	86	-
Ø J	12	14	14
R	12	14	-



Axelon Low Smoke Zero Halogen (LSZH) Cable Gland Shroud (CPRI Approved)

PVC Shroud are used for covering the Cable Glands as additional protection against weather conditions and corrosion.



Technical Data:

Shrouds are used for covering the Cable Glands as additional protection against weather conditions and corrosion

Material : LSF/LSZH Shrouds

Application : Minimises the risk of dirt or foreign substances gathering on the cable gland body and / or point of cable to the gland interface. Tested by CPRI.

Shrouds - Part No.	Code	Glands Across Corner	Shroud ID	Straight Length
SIW01SS	2023	24.5	23	40
SIW01S	2027	29	27	40
SIW01	2030	32	30	40
SIW01A	2030	32	30	40
SIW02	2533	36.5	33	40
SIW02A	2533	36.5	33	40
SIW03	2533	37	33	40
SIW04	3243	44	43	40
SIW04A	3243	44	43	40
SIW05	3243	47	43	50
SIW05A	3243	47	43	50
SIW06	3250	54	50	50
SIW06A	3250	54	50	50
SIW07	4055	58	55	50
SIW08	5063	64	63	50
SIW09	66mm	67	66	60
SIW010	73mm	77	73	60
SIW010A	73mm	77	73	60
SIW011S	6379	85	79	60
SIW011	6388	92	88	60
SIW012	7595	97	95	75
SIW013A	7599	103	99	85
SIW013	109mm	113	109	85

Axelon Stopping Plug

Range of Stopping plugs are designed to close any unused entries of an electrical equipments without revoking existing certification. The range covers three design types:



◀ Stopping Plug

Technical Data:

Material : Brass (IS - 319)
 Standard Plating : Nickle
 Plated - Standard Threads :
 BSC - Standard
 (PG / Metric / NPT / BSP also available)
 Application : Used in normal climatic condition



◀ Tamper Proof Stopping Plug

Technical Data:

Material : Brass (IS - 319)
 Standard Plating : Nickle
 Plated - Standard Threads :
 BSC - Standard
 (PG / Metric / NPT / BSP also available)
 Application : Used to prevent unauthorised removal

Axelon Adaptor

Adaptors provide a means of connection between dissimilar thread forms or sizes.



Technical Data:

Material : Brass (IS - 319)
 Standard Plating : Nickle Plated -
 Standard Threads : BSC -
 Standard
 (PG / Metric / NPT /
 BSP also available)
 Application : Used in normal climatic
 condition.

Axelon Reducer

Reducers effectively reduce the threaded entry diameter of an enclosure to accept a gland or fitting with a smaller thread. The range covers two design types:



Technical Data:

Material : AXELON Reducer
 Material : Brass (IS - 319)
 Standard Plating : Nickle Plated -
 Standard Threads : BSC -
 Standard
 (PG / Metric / NPT /
 BSP also available)
 Application : Used in normal climatic
 condition.

Axelon Earth Tag

Earth Tag ensures earthing continuity between Gland and Enclosure.



Technical Data:

Material : Brass
 Plating : Nickle Plated
 Application : Used with cable gland, adaptor & reducer to provide a
 means of connecting a flexible earth bond.

Axelon Gland Selection

Single Core Aluminium / Copper Conductor, XLPE Insulated, Un-armoured Cables 1100 VOLTS

No. of Cores	Single Compression Light Duty		Metal Cable Glands	Double Compression Light Duty		Double Compression Type (CIMFR Approved)		
	Gland Size	Nipple Entry	Gland Size	Gland Size	Nipple Entry	Weatherproof (SIW)	Flameproof (SIF)	Nipple Entry
1 x 4	1/2"	5/8"	PG9 / M16	1/2"	5/8"	SIW01SS (UN)	SIF01SS (UN)	3/4"
1 x 6	3/8"	5/8"	PG9 / M16	3/8"	5/8"	SIW01SS (UN)	SIF01SS (UN)	3/4"
1 x 10	3/8"	5/8"	PG11/M20	1/2"	5/8"	SIW01SS (UN)	SIF01SS (UN)	3/4"
1 x 16	3/8"	5/8"	PG13.5 / M20	1/2"	5/8"	SIW01SS (UN)	SIF01SS (UN)	3/4"
1 x 25	1/2"	5/8"	PG16 / M25	1/2"	5/8"	SIW01SS (UN)	SIF01SS (UN)	3/4"
1 x 35	1/2"	5/8"	PG16 / M25	1/2"	5/8"	SIW01S (UN)	SIF01S (UN)	3/4"
1 x 50	3/4"	3/4"	PG21 / M25	3/4"	3/4"	SIW01S (UN)	SIF01S (UN)	1"
1 x 70	7/8"	3/4"	PG21 / M32	7/8"	3/4"	SIW01A (UN)	SIF01A (UN)	1"
1 x 95	7/8"	3/4"	PG29 / M32	1"	1"	SIW01A (UN)	SIF01A (UN)	1"
1 x 120	1"	1"	PG29 / M32	1"	1"	SIW02 (UN)	SIF02 (UN)	1"
1 x 150	1"	1"	PG29 / M40	1 1/8"	1 1/8"	SIW03SP (UN)	SIF03SP (UN)	M28/1"
1 x 185	1 1/8"	1 1/8"	PG29 / M40	1 1/4"	1 1/4"	SIW04A (UN)	SIF04A (UN)	1.1/4"
1 x 225	1 1/4"	1 1/4"	PG36 / M40	1 1/4"	1 1/4"	SIW05A (UN)	SIF05A (UN)	1.1/2"
1 x 240	1 1/4"	1 1/4"	PG36 / M40	1 1/4"	1 1/4"	SIW05A (UN)	SIF05A (UN)	1.1/2"
1 x 300	1 3/8"	1 3/8"	PG36 / M50	1 3/8"	1 1/2"	SIW05A (UN)	SIF05A (UN)	1.1/2"
1 x 400	1 1/2"	1 1/2"	PG42 / M50	1 1/2"	1 1/2"	SIW06SP (UN)	SIF06SP (UN)	M40/1-1 1/2"
1 x 500	1 3/4"	1 3/4"	PG42 / M50	1 3/4"	2"	SIW07SP (UN)	SIF07SP (UN)	M42/1-1 1/2"
1 x 630	2"	2"	PG48 / M63	2"	2"	SIW08 (UN)	SIF08 (UN)	2"
1 x 800	2"	2"	M63	2 1/4"	2 1/4"	SIW010A (UN)	SIF010A (UN)	2.1/2"
1 x 1000	2 1/4"	2 1/4"	M70	2 1/4"	2 1/4"	SIW011S (UN)	SIF011S (UN)	2.1/2"

Twin Core Aluminum / Copper conductor, XLPE Insulated, Un-armoured Cables 1100 VOLTS

No. of Cores	Single Compression Light Duty		Metal Cable Glands	Double Compression Light Duty		Double Compression Type (CIMFR Approved)		
	Gland Size	Nipple Entry	Gland Size	Gland Size	Nipple Entry	Weatherproof (SIW)	Flameproof (SIF)	Nipple Entry
2 x 4	1/2"	5/8"	PG 16 / M25	1/2"	5/8"	SIW01S (UN)	SIF01S (UN)	3/4"
2 x 6	3/4"	3/4"	PG 21 / M25	5/8"	3/4"	SIW01S (UN)	SIF01S (UN)	3/4"
2 x 10	3/4"	3/4"	PG 21 / M25	3/4"	3/4"	SIW01A (UN)	SIF01A (UN)	1"
2 x 16	7/8"	3/4"	PG 21 / M32	7/8"	3/4"	SIW01A (UN)	SIF01A (UN)	1"
2 x 25	1"	1"	PG 29 / M32	1"	1"	SIW02 (UN)	SIF02 (UN)	1"
2 x 35	1"	1"	PG 29 / M32	1"	1"	SIW03SP (UN)	SIF03SP (UN)	M28/1"
2 x 50	1 1/8"	1 1/8"	PG 29 / M40	1 1/8"	1 1/8"	SIW04A (UN)	SIF04A (UN)	1.1/4"
2 x 70	1 1/4"	1 1/4"	PG 36 / M40	1 1/4"	1 1/4"	SIW05A (UN)	SIF05A (UN)	1.1/2"
2 x 95	1 1/4"	1 1/4"	PG 36 / M50	1 3/8"	1 1/2"	SIW05A (UN)	SIF05A (UN)	1.1/2"
2 x 120	1 1/2"	1 1/2"	PG 42 / M50	1 1/2"	1 1/2"	SIW06SP (UN)	SIF06SP (UN)	M40/1-1/2"
2 x 150	1 1/2"	1 1/2"	PG 42 / M50	1 1/2"	1 1/2"	SIW07SP (UN)	SIF07SP (UN)	M42/1-1/2"
2 x 185	1 3/4"	1 3/4"	PG 42 / M63	1 3/4"	2"	SIW08 (UN)	SIF08 (UN)	2"
2 x 240	1 3/4"	1 3/4"	PG 48 / M63	2"	2"	SIW08 (UN)	SIF08 (UN)	2"
2 x 300	2"	2"	M63	2"	2"	SIW010A (UN)	SIF010A (UN)	2.1/2"
2 x 400	2 1/4"	2 1/4"	M70	2 1/4"	2 1/4"	SIW010A (UN)	SIF010A (UN)	2.1/2"
2 x 500	2 1/2"	2 1/2"	M75	2 1/2"	2 1/2"	SIW011SP (UN)	SIF011SP (UN)	M70/2-1/2"
2 x 630	2 3/4"	2 3/4"	M80	2 3/4"	2 3/4"	SIW012 (UN)	SIF012 (UN)	3"

* Cable dia collected from leading manufacturers of cable. Variation in dimensions of cables is beyond our liability.

Axelon Gland Selection

Three Core Aluminum / Copper Conductor, XLPE Insulated, Un-Armoured Cables 1100 VOLTS								
No. of Cores	Single Compression Light Duty		Metal Cable Glands	Double Compression Light Duty		Double Compression Type (CIMFR Approved)		
	Gland Size	Nipple Entry	Gland Size	Gland Size	Nipple Entry	Weatherproof (SIW)	Flameproof (SIF)	Nipple Entry
3 x 4	1/2"	5/8"	PG 16 / M25	1/2"	5/8"	SIW01A (UN)	SIF01A (UN)	1"
3 x 6	3/4"	3/4"	PG 21 / M25	3/4"	3/4"	SIW01A (UN)	SIF01A (UN)	1"
3 x 10	3/4"	3/4"	PG 21 / M32	3/4"	3/4"	SIW01A (UN)	SIF01A (UN)	1"
3 x 16	7/8"	3/4"	PG 21 / M32	7/8"	3/4"	SIW02 (UN)	SIF02 (UN)	1"
3 x 25	1"	1"	PG 29 / M40	1"	1"	SIW03SP (UN)	SIF03SP (UN)	M28/1"
3 x 35	1 1/8"	1 1/8"	PG 29 / M40	1 1/8"	1 1/8"	SIW04A (UN)	SIF04A (UN)	1.1/4"
3 x 50	1 1/4"	1 1/4"	PG 36 / M40	1 1/4"	1 1/4"	SIW05A (UN)	SIF05A (UN)	1.1/2"
3 x 70	1 3/8"	1 3/8"	PG 36 / M50	1 3/8"	1 1/2"	SIW05A (UN)	SIF05A (UN)	1.1/2"
3 x 95	1 1/2"	1 1/2"	PG 42 / M50	1 1/2"	1 1/2"	SIW06SP (UN)	SIF06SP (UN)	M40/1-1/2"
3 x 120	1 1/2"	1 1/2"	PG 42 / M50	1 3/4"	2"	SIW07SP (UN)	SIF07SP (UN)	M42/1-1/2"
3 x 150	1 3/4"	1 3/4"	PG 48 / M63	1 3/4"	2"	SIW08 (UN)	SIF08 (UN)	2"
3 x 185	2"	2"	M63	2"	2"	SIW09 (UN)	SIF09 (UN)	2"
3 x 240	2 1/4"	2 1/4"	M70	2 1/4"	2 1/4"	SIW010A (UN)	SIF010A (UN)	2.1/2"
3 x 300	2 1/2"	2 1/2"	M75	2 1/2"	2 1/2"	SIW011S (UN)	SIF011S (UN)	2.1/2"
3 x 400	2 3/4"	2 3/4"	M80	2 3/4"	2 3/4"	SIW011SP (UN)	SIF011SP (UN)	M70/2-1/2"
3 x 500	3"	3"	M80	3 1/4"	3 1/4"	SIW013A (UN)	SIF013A (UN)	3"
3 x 630	3 1/4"	3 1/4"	-	3 1/4"	3 1/4"	SIW013 (UN)	SIF013 (UN)	3.1/4"

Three & Half Core Aluminum / Copper Conductor, XLPE Insulated, Un-Armoured 1100 VOLTS								
No. of Cores	Single Compression Light Duty		Metal Cable Glands	Double Compression Light Duty		Double Compression Type (CIMFR Approved)		
	Gland Size	Nipple Entry	Gland Size	Gland Size	Nipple Entry	Weatherproof (SIW)	Flameproof (SIF)	Nipple Entry
3.5 x25/16sm	1"	1"	PG 29 / M40	1 1/8"	1 1/8"	SIW04A (UN)	SIF04A (UN)	1.1/4"
3.5 x35/16sm	1 1/8"	1 1/8"	PG 29 / M40	1 1/4"	1 1/4"	SIW04A (UN)	SIF04A (UN)	1.1/4"
3.5 x50/25sm	1 1/4"	1 1/4"	PG 36 / M50	1 3/8"	1 1/2"	SIW05A (UN)	SIF05A (UN)	1.1/2"
3.5 x70/35sm	1 1/2"	1 1/2"	PG 42 / M50	1 1/2"	1 1/2"	SIW06SP (UN)	SIF06SP (UN)	M40/1-1/2"
3.5 x95/50sm	1 1/2"	1 1/2"	PG 42 / M63	1 3/4"	2"	SIW08 (UN)	SIF08 (UN)	2"
3.5 x120/70sm	1 3/4"	1 3/4"	PG 48 / M63	1 3/4"	2"	SIW08 (UN)	SIF08 (UN)	2"
3.5 x150/70sm	1 3/4"	1 3/4"	PG 48 / M63	2"	2"	SIW09 (UN)	SIF09 (UN)	2"
3.5 x185/95sm	2"	2"	M63	2 1/2"	2 1/2"	SIW010A (UN)	SIF010A (UN)	2.1/2"
3.5 x240/120sm	2 1/4"	2 1/4"	M75	2 1/2"	2 1/2"	SIW011S (UN)	SIF011S (UN)	2.1/2"
3.5 x300/150sm	2 1/2"	2 1/2"	M75	2 1/2"	2 1/2"	SIW011SP (UN)	SIF011SP (UN)	M70/2-1/2"
3.5 x400/185sm	2 3/4"	2 3/4"	M80	2 3/4"	2 3/4"	SIW012 (UN)	SIF012 (UN)	3"
3.5 x500/240sm	3 1/4"	3 1/4"	-	3 1/4"	3 1/4"	SIW013 (UN)	SIF013 (UN)	3.1/4"
3.5 x630/300sm	3 1/4"	3 1/4"	-	3 1/4"	3 1/4"	SIW015 (UN)	SIF015 (UN)	4"

* Cable dia collected from leading manufacturers of cable. Variation in dimensions of cables is beyond our liability.

Axelon Gland Selection

Four Core Aluminum f Copper Conductor, XLPE Insulated, Un-Armoured Cables 1100 VOLTS								
No. of Cores	Single Compression Light Duty		Metal Cable Glands	Double Compression Light Duty		Double Compression Type (CIMFR Approved)		
	Gland Size	Nipple Entry	Gland Size	Gland Size	Nipple Entry	Weatherproof (SIW)	Flameproof (SIF)	Nipple Entry
4 x 4	3/4"	3/4"	PG 21 / M25	3/4"	3/4"	SIW01A (UN)	SIF01A (UN)	1"
4 x 6	7/8"	3/4"	PG 21 / M32	7/8"	3/4"	SIW01A (UN)	SIF01A (UN)	1"
4 x 10	7/8"	3/4"	PG 29 / M32	1"	1"	SIW02 (UN)	SIF02 (UN)	1"
4 x 16	1"	1"	PG 29 / M28	1"	1"	SIW04A (UN)	SIF04A (UN)	1.1/4"
4 x 25	1 1/8"	1 1/8"	PG 29 / M28	1 1/8"	1 1/8"	SIW04A (UN)	SIF04A (UN)	1.1/4"
4 x 35	1 1/4"	1 1/4"	PG 36 / M40	1 1/4"	1 1/4"	SIW05A (UN)	SIF05A (UN)	1.1/2"
4 x 50	1 1/2"	1 1/2"	PG 42 / M50	1 1/2"	1 1/2"	SIW06SP (UN)	SIF06SP (UN)	M40/1-1/2"
4 x 70	1 1/2"	1 1/2"	PG 42 / M50	1 1/2"	1 1/2"	SIW07SP (UN)	SIF07SP (UN)	M42/1-1/2"
4 x 95	1 3/4"	1 3/4"	PG 48 / M63	1 3/4"	2"	SIW08 (UN)	SIF08 (UN)	2"
4 x 120	1 3/4"	1 3/4"	PG 48 / M63	2"	2"	SIW09 (UN)	SIF09 (UN)	2"
4 x 150	2"	2"	M63	2"	2"	SIW09 (UN)	SIF09 (UN)	2"
4 x 185	2 1/4"	2 1/4"	M70	2 1/4"	2 1/4"	SIW010A (UN)	SIF010A (UN)	2.1/2"
4 x 240	2 1/2"	2 1/2"	M75	2 1/2"	2 1/2"	SIW011SP (UN)	SIF011SP (UN)	M70 /2-1/2"
4 x 300	2 3/4"	2 3/4"	M80	2 3/4"	2 3/4"	SIW012 (UN)	SIF012 (UN)	3"
4 x 400	3"	3"	-	3 1/4"	3 1/4"	SIW013 (UN)	SIF013 (UN)	3.1/4"

Multi Core Copper Conductor of 1.5mm ² size, XLPE Insulated, Un-Armoured Cables 1100 VOLTS								
No. of Cores	Single Compression Light Duty		Metal Cable Glands	Double Compression Light Duty		Double Compression Type (CIMFR Approved)		
	Gland Size	Nipple Entry	Gland Size	Gland Size	Nipple Entry	Weatherproof (SIW)	Flameproof (SIF)	Nipple Entry
2 x 1.5	3/8"	5/8"	PG 11 / M20	1/2"	5/8"	SIW01SS (UN)	SIF01SS (UN)	3/4"
3 x 1.5	3/8"	5/8"	PG 13.5 / M20	1/2"	5/8"	SIW01SS (UN)	SIF01SS (UN)	3/4"
4 x 1.5	1/2"	5/8"	PG 13.5 / M20	1/2"	5/8"	SIW01SS (UN)	SIF01SS (UN)	3/4"
5 x 1.5	1/2"	5/8"	PG 16 / M25	1/2"	5/8"	SIW01S (UN)	SIF01S (UN)	3/4"
6 x 1.5	1/2"	5/8"	PG 16 / M25	1/2"	5/8"	SIW01A (UN)	SIF01A (UN)	1"
7 x 1.5	1/2"	5/8"	PG 16 / M25	1/2"	5/8"	SIW01A (UN)	SIF01A (UN)	1"
10 x 1.5	3/4"	3/4"	PG 21 / M32	3/4"	3/4"	SIW01A (UN)	SIF01A (UN)	1"
12 x 1.5	7/8"	3/4"	PG 21 / M32	7/8"	3/4"	SIW01A (UN)	SIF01A (UN)	1"
14 x 1.5	7/8"	3/4"	PG 21 / M32	7/8"	3/4"	SIW01A (UN)	SIF01A (UN)	1"
16 x 1.5	1"	1"	PG 29 / M32	1"	1"	SIW02 (UN)	SIF02 (UN)	1"
19 x 1.5	1"	1"	PG 29 / M32	1"	1"	SIW03SP (UN)	SIF03SP (UN)	M28/1"
24 x 1.5	1 1/8"	1 1/8"	PG 29 / M40	1 1/8"	1 1/8"	SIW04A (UN)	SIF04A (UN)	1.1/4"
27 x 1.5	1 1/8"	1 1/8"	PG 29 / M40	1 1/8"	1 1/8"	SIW04A (UN)	SIF04A (UN)	1.1/4"
30 x 1.5	1 1/8"	1 1/8"	PG 29 / M40	1 1/8"	1 1/8"	SIW04A (UN)	SIF04A (UN)	1.1/4"
37 x 1.5	1 1/4"	1 1/4"	PG 29 / M40	1 1/4"	1 1/4"	SIW05A (UN)	SIF05A (UN)	1.1/2"
44 x 1.5	1 3/8"	1 3/8"	PG 29 / M40	1 3/8"	1 1/2"	SIW06SP (UN)	SIF06SP (UN)	M40 /1-1/2"
52 x 1.5	1 3/8"	1 3/8"	PG 36 / M50	1 3/8"	1 1/2"	SIW06SP (UN)	SIF06SP (UN)	M40 /1-1/2"
61 x 1.5	1 1/2"	1 1/2"	PG 36 / M50	1 1/2"	1 1/2"	SIW07SP (UN)	SIF07SP (UN)	M42 /1-1/2"

* Cable dia collected from leading manufacturers of cable. Variation in dimensions of cables is beyond our liability.

Axelon Gland Selection

Multi Core Copper Conductor of 2.5mm ² size, XLPE Insulated, Un-Armoured Cables 1100 VOLTS								
No. of Cores	Single Compression Light Duty		Metal Cable Glands	Double Compression Light Duty		Double Compression Type (CIMFR Approved)		
	Gland Size	Nipple Entry	Gland Size	Gland Size	Nipple Entry	Weatherproof (SIW)	Flameproof (SIF)	Nipple Entry
2 x 2.5	1/2"	5/8"	PG 13.5 / M20	1/2"	5/8"	SIW01SS (UN)	SIF01SS (UN)	3/4"
3 x 2.5	1/2"	5/8"	PG 13.5 / M20	1/2"	5/8"	SIW01S (UN)	SIF01S (UN)	3/4"
4 x 2.5	1/2"	5/8"	PG 16 / M25	1/2"	5/8"	SIW01S (UN)	SIF01S (UN)	3/4"
5 x 2.5	5/8"	3/4"	PG 16 / M25	5/8"	3/4"	SIW01A (UN)	SIF01A (UN)	1"
6 x 2.5	3/4"	3/4"	PG 21 / M25	3/4"	3/4"	SIW01A (UN)	SIF01A (UN)	1"
7 x 2.5	3/4"	3/4"	PG 21 / M25	3/4"	3/4"	SIW01A (UN)	SIF01A (UN)	1"
10 x 2.5	7/8"	3/4"	PG 21 / M25	7/8"	3/4"	SIW02 (UN)	SIF02 (UN)	1"
12 x 2.5	7/8"	3/4"	PG 21 / M32	7/8"	3/4"	SIW03SP (UN)	SIF03SP (UN)	M28/1"
14 x 2.5	7/8"	3/4"	PG 29 / M32	1"	1"	SIW03SP (UN)	SIF03SP (UN)	M28/1"
16 x 2.5	1"	1"	PG 29 / M32	1"	1"	SIW04A (UN)	SIF04A (UN)	1.1/4"
19 x 2.5	1"	1"	PG 29 / M40	1"	1"	SIW04A (UN)	SIF04A (UN)	1.1/4"
24 x 2.5	1 1/8"	1 1/8"	PG 29 / M40	1 1/8"	1 1/8"	SIW05A (UN)	SIF05A (UN)	1.1/2"
27 x 2.5	1 1/8"	1 1/8"	PG 29 / M40	1 1/4"	1 1/4"	SIW05A (UN)	SIF05A (UN)	1.1/2"
30 x 2.5	1 1/8"	1 1/8"	PG 36 / M40	1 1/4"	1 1/4"	SIW05A (UN)	SIF05A (UN)	1.1/2"
37 x 2.5	1 1/4"	1 1/4"	PG 36 / M40	1 1/4"	1 1/4"	SIW06SP (UN)	SIF06SP (UN)	M40/1-1/2"
44 x 2.5	1 1/2"	1 1/2"	PG 42 / M50	1 1/2"	1 1/2"	SIW07SP (UN)	SIF07SP (UN)	M42/1-1/2"
52 x 2.5	1 1/2"	1 1/2"	PG 42 / M50	1 1/2"	1 1/2"	SIW08 (UN)	SIF08 (UN)	2"

Single Core Aluminum / Copper Conductor , XLPE Insulated, Armoured Cables 1100 VOLTS								
No. of Cores	Single Compression Light Duty		Flange Type	Double Compression Light Duty		Double Compression Type (CIMFR Approved)		
	Gland Size	Nipple Entry	Gland Size	Gland Size	Nipple Entry	Weatherproof (SIW)	Flameproof (SIF)	Nipple Entry
1 x 4	3/8"	5/8"	5	1/2"	5/8"	SIW01SS	SIF01SS	3/4"
1 x 6	3/8"	5/8"	5	1/2"	5/8"	SIW01S	SIF01S	3/4"
1 x 10	1/2"	5/8"	5	1/2"	5/8"	SIW01S	SIF01S	3/4"
1 x 16	1/2"	5/8"	5	1/2"	5/8"	SIW01S	SIF01S	3/4"
1 x 25	5/8"	3/4"	5	1/2"	5/8"	SIW01S	SIF01S	3/4"
1 x 35	3/4"	3/4"	5	5/8"	3/4"	SIW01	SIF01	3/4"
1 x 50	7/8"	3/4"	4	3/4"	3/4"	SIW02	SIF02	1"
1 x 70	7/8"	3/4"	3	1"	1"	SIW03	SIF03	1"
1 x 95	1"	1"	3	1"	1"	SIW03	SIF03	1"
1 x 120	1"	1"	2	1"	1"	SIW04	SIF04	1"
1 x 150	1 1/8"	1 1/8"	2	1 1/8"	1 1/8"	SIW04	SIF04	1"
1 x 185	1 1/8"	1 1/8"	2	1 1/8"	1 1/8"	SIW05	SIF05	1.1/4"
1 x 225	1 1/4"	1 1/4"	1	1 1/4"	1 1/4"	SIW06	SIF06	1.1/2"
1 x 240	1 1/4"	1 1/4"	1	1 1/4"	1 1/4"	SIW06	SIF06	1.1/2"
1 x 300	1 3/8"	1 3/8"	11	1 1/4"	1 1/4"	SIW07	SIF07	1.1/2"
1 x 400	1 1/2"	1 1/2"	0	1 1/2"	1 1/2"	SIW07	SIF07	1.1/2"
1 x 500	1 3/4"	1 3/4"	38	1 3/4"	2"	SIW09	SIF09	2"
1 x 630	2"	2"	001	2"	2"	SIW010	SIF010	2"
1 x 800	2"	2"	002	2 1/4"	2 1/4"	SIW011S	SIF011S	2.1/2"
1 x 1000	2 1/4"	2 1/4"	003	2 1/4"	2 1/4"	SIW011S	SIF011S	2.1/2"

* Cable dia collected from leading manufacturers of cable. Variation in dimensions of cables is beyond our liability.

Axelon Gland Selection

Two Core Aluminum / Copper Conductor , XLPE Insulated, Armoured Cables 1100 VOLTS

No. of Cores	Single Compression Light Duty		Flange Type	Double Compression Light Duty		Double Compression Type (CIMFR Approved)		
	Gland Size	Nipple Entry	Gland Size	Gland Size	Nipple Entry	Weatherproof (SIW)	Flameproof (SIF)	Nipple Entry
2 x 1.5	1/2"	5/8"	5	1/2"	5/8"	SIW01S	SIF01S	3/4"
2 x 2.5	1/2"	5/8"	5	1/2"	5/8"	SIW01S	SIF01S	3/4"
2 x 4	5/8"	3/4"	5	1/2"	5/8"	SIW01	SIF01	3/4"
2 x 6	3/4"	3/4"	5	5/8"	3/4"	SIW01	SIF01	3/4"
2 x 10	7/8"	3/4"	4	3/4"	3/4"	SIW02	SIF02	1"
2 x 16	7/8"	3/4"	4	3/4"	3/4"	SIW03	SIF03	1"
2 x 25	7/8"	3/4"	3	1"	1"	SIW03	SIF03	1"
2 x 35	1"	1"	2	1"	1"	SIW04	SIF04	1"
2 x 50	1 1/8"	1 1/8"	2	1 1/8"	1 1/8"	SIW05	SIF05	1.1/4"
2 x 70	1 1/4"	1 1/4"	1	1 1/4"	1 1/4"	SIW05	SIF05	1.1/4"
2 x 95	1 3/8"	1 3/8"	11	1 3/8"	1 1/2"	SIW06	SIF06	1.1/2"
2 x 120	1 3/8"	1 3/8"	11	1 3/8"	1 1/2"	SIW06	SIF06	1.1/2"
2 x 150	1 1/2"	1 1/2"	0	1 3/4"	2"	SIW07	SIF07	1.1/2"
2 x 185	1 3/4"	1 3/4"	38	1 3/4"	2"	SIW08	SIF08	2"
2 x 240	2"	2"	001	2"	2"	SIW09	SIF09	2"
2 x 300	2"	2"	002	2 1/4"	2 1/4"	SIW010	SIF010	2"
2 x 400	2 1/4"	2 1/4"	003	2 1/2"	2 1/2"	SIW011S	SIF011S	2.1/2"

Three Core Aluminum / Copper Conductor , XLPE Insulated, Armoured Cables 1100 VOLTS

No. of Cores	Single Compression Light Duty		Flange Type	Double Compression Light Duty		Double Compression Type (CIMFR Approved)		
	Gland Size	Nipple Entry	Gland Size	Gland Size	Nipple Entry	Weatherproof (SIW)	Flameproof (SIF)	Nipple Entry
3 x 1.5	1/2"	5/8"	5	1/2"	5/8"	SIW01S	SIF01S	3/4"
3 x 2.5	1/2"	5/8"	5	1/2"	5/8"	SIW01S	SIF01S	3/4"
3 x 4	3/4"	3/4"	5	5/8"	3/4"	SIW01	SIF01	3/4"
3 x 6	3/4"	3/4"	4	3/4"	3/4"	SIW02	SIF02	1"
3 x 10	7/8"	3/4"	4	7/8"	3/4"	SIW02	SIF02	1"
3 x 16	7/8"	3/4"	3	1"	1"	SIW03	SIF03	1"
3 x 25	1"	1"	2	1"	1"	SIW03	SIF03	1"
3 x 35	1 1/8"	1 1/8"	2	1 1/8"	1 1/8"	SIW04	SIF04	1"
3 x 50	1 1/8"	1 1/8"	1	1 1/4"	1 1/4"	SIW05	SIF05	1.1/4"
3 x 70	1 3/8"	1 3/8"	11	1 3/8"	1 1/2"	SIW06	SIF06	1.1/2"
3 x 95	1 1/2"	1 1/2"	0	1 1/2"	1 1/2"	SIW07	SIF07	1.1/2"
3 x 120	1 1/2"	1 1/2"	00	1 3/4"	2"	SIW08	SIF08	2"
3 x 150	1 3/4"	1 3/4"	001	2"	2"	SIW08	SIF08	2"
3 x 185	2"	2"	001	2"	2"	SIW010	SIF010	2"
3 x 225	2 1/4"	2 1/4"	002	2 1/4"	2 1/4"	SIW011S	SIF011S	2.1/2"
3 x 240	2 1/4"	2 1/4"	002	2 1/2"	2 1/2"	SIW011S	SIF011S	2.1/2"
3 x 300	2 1/2"	2 1/2"	003	2 3/4"	2 3/4"	SIW011	SIF011	2.1/2"
3 x 400	2 3/4"	2 3/4"	0033	3"	3"	SIW012	SIF012	3"

* Cable dia collected from leading manufacturers of cable. Variation in dimensions of cables is beyond our liability.

Axelon Gland Selection

Three & Half Core Aluminum / Copper Conductor, XLPE Insulated, Un-Armoured 1100 VOLTS

No. of Cores	Single Compression Light Duty		Flange Type	Double Compression Light Duty		Double Compression Type (CIMFR Approved)		
	Gland Size	Nipple Entry		Gland Size	Gland Size	Nipple Entry	Weatherproof (SIW)	Flameproof (SIF)
3.5 x 25/16sm	1 1/8"	1 1/8"	2	1 1/8"	1 1/8"	SIW04	SIF04	1"
3.5 x 35/16sm	1 1/8"	1 1/8"	2	1 1/8"	1 1/8"	SIW05	SIF05	1.1/4"
3.5 x 50/25sm	1 1/4"	1 1/4"	1	1 1/4"	1 1/4"	SIW06	SIF06	1.1/2"
3.5 x 70/35sm	1 3/8"	1 3/8"	11	1 3/8"	1 1/2"	SIW07	SIF07	1.1/2"
3.5 x 95/50sm	1 1/2"	1 1/2"	0	1 3/4"	2"	SIW08	SIF08	2"
3.5 x 120/70sm	1 3/4"	1 3/4"	38	1 3/4"	2"	SIW08	SIF08	2"
3.5 x 150/70sm	2"	2"	001	2"	2"	SIW09	SIF09	2"
3.5 x 185/95sm	2"	2"	002	2 1/2"	2 1/2"	SIW010	SIF010	2"
3.5 x 225/120sm	2 1/4"	2 1/4"	003	2 1/2"	2 1/2"	SIW011	SIF011	2.1/2"
3.5 x 240/120sm	2 1/2"	2 1/2"	003	2 1/2"	2 1/2"	SIW011	SIF011	2.1/2"
3.5 x 300/150sm	2 3/4"	2 3/4"	0033	2 3/4"	2 3/4"	SIW012	SIF012	3"
3.5 x 400/185sm	3"	3"	004	3"	3"	SIW013A	SIF013A	3"

Four Core Aluminum / Copper Conductor XLPE Insulated, Armoured Cables 1100 VOLTS

No. of Cores	Single Compression Light Duty		Flange Type	Double Compression Light Duty		Double Compression Type (CIMFR Approved)		
	Gland Size	Nipple Entry		Gland Size	Gland Size	Nipple Entry	Weatherproof (SIW)	Flameproof (SIF)
4 x 1.5	5/8"	3/4"	5	1/2"	5/8"	SIW01S	SIF01S	3/4"
4 x 2.5	3/4"	3/4"	5	3/4"	3/4"	SIW01	SIF01	3/4"
4 x 4	7/8"	3/4"	4	3/4"	3/4"	SIW02	SIF02	1"
4 x 6	7/8"	3/4"	3	1"	1"	SIW02	SIF02	1"
4 x 10	7/8"	3/4"	3	1"	1"	SIW03	SIF03	1"
4 x 16	1"	1"	2	1"	1"	SIW04	SIF04	1"
4 x 25	1 1/8"	1 1/8"	2	1 1/8"	1 1/8"	SIW04	SIF04	1"
4 x 35	1 1/8"	1 1/8"	1	1 1/4"	1 1/4"	SIW05	SIF05	1.1/4"
4 x 50	1 3/8"	1 3/8"	11	1 3/8"	1 1/2"	SIW06	SIF06	1.1/2"
4 x 70	1 1/2"	1 1/2"	0	1 1/2"	1 1/2"	SIW07	SIF07	1.1/2"
4 x 95	1 1/2"	1 1/2"	00	1 3/4"	2"	SIW08	SIF08	2"
4 x 120	1 3/4"	1 3/4"	001	1 3/4"	2"	SIW08	SIF08	2"
4 x 150	2"	2"	001	2"	2"	SIW09	SIF09	2"
4 x 185	2 1/4"	2 1/4"	002	2 1/4"	2 1/4"	SIW010	SIF010	2"
4 x 240	2 1/2"	2 1/2"	003	2 1/2"	2 1/2"	SIW011	SIF011	2.1/2"
4 x 300	2 3/4"	2 3/4"	004	2 3/4"	2 3/4"	SIW012	SIF012	3"
4 x 400	3"	3"	004	3"	3"	SIW013A	SIF013A	3"

* Cable dia collected from leading manufacturers of cable. Variation in dimensions of cables is beyond our liability.

Axelon Gland Selection

Multi Core Copper Conductor of 1.5mm ² size, XLPE Insulated, Armoured Cables 1100 VOLTS								
No. of Cores	Single Compression Light Duty		Flange Type	Double Compression Light Duty		Double Compression Type (CIMFR Approved)		
	Gland Size	Nipple Entry	Gland Size	Gland Size	Nipple Entry	Weatherproof (SIW)	Flameproof (SIF)	Nipple Entry
2 x 1.5	1/2"	5/8"	5	1/2"	5/8"	SIW01S	SIF01S	3/4"
3 x 1.5	1/2"	5/8"	5	1/2"	5/8"	SIW01S	SIF01S	3/4"
4 x 1.5	5/8"	3/4"	5	1/2"	5/8"	SIW01S	SIF01S	3/4"
5 x 1.5	3/4"	3/4"	5	5/8"	3/4"	SIW01	SIF01	3/4"
6 x 1.5	3/4"	3/4"	5	5/8"	3/4"	SIW01	SIF01	3/4"
7 x 1.5	3/4"	3/4"	5	3/4"	3/4"	SIW01	SIF01	3/4"
10 x 1.5	7/8"	3/4"	4	7/8"	3/4"	SIW02	SIF02	1"
12 x 1.5	7/8"	3/4"	3	1"	1"	SIW02	SIF02	1"
14 x 1.5	7/8"	3/4"	3	1"	1"	SIW02	SIF02	1"
16 x 1.5	1"	1"	3	1"	1"	SIW03	SIF03	1"
19 x 1.5	1"	1"	2	1"	1"	SIW03	SIF03	1"
24 x 1.5	1 1/8"	1 1/8"	2	1 1/8"	1 1/8"	SIW04	SIF04	1"
27 x 1.5	1 1/8"	1 1/8"	2	1 1/8"	1 1/8"	SIW04	SIF04	1"
30 x 1.5	1 1/4"	1 1/4"	1	1 1/4"	1 1/4"	SIW05	SIF05	1.1/4"
37 x 1.5	1 1/4"	1 1/4"	1	1 1/4"	1 1/4"	SIW05	SIF05	1.1/4"
44 x 1.5	1 3/8"	1 3/8"	1	1 3/8"	1 1/2"	SIW06	SIF06	1.1/2"
52 x 1.5	1 3/8"	1 3/8"	0	1 3/8"	1 1/2"	SIW06	SIF06	1.1/2"
61 x 1.5	1 1/2"	1 1/2"	0	1 1/2"	1 1/2"	SIW07	SIF07	1.1/2"

Multi Core Copper Conductor of 2.5mm ² size, XLPE Insulated, Armoured Cables 1100 VOLTS								
No. of Cores	Single Compression Light Duty		Flange Type	Double Compression Light Duty		Double Compression Type (CIMFR Approved)		
	Gland Size	Nipple Entry	Gland Size	Gland Size	Nipple Entry	Weatherproof (SIW)	Flameproof (SIF)	Nipple Entry
2 x 2.5	1/2"	5/8"	5	1/2"	5/8"	SIW01S	SIF01S	3/4"
3 x 2.5	1/2"	5/8"	5	1/2"	5/8"	SIW01S	SIF01S	3/4"
4 x 2.5	1/2"	5/8"	5	1/2"	5/8"	SIW01	SIF01	3/4"
5 x 2.5	3/4"	3/4"	5	5/8"	3/4"	SIW02	SIF02	1"
6 x 2.5	3/4"	3/4"	5	3/4"	3/4"	SIW02	SIF02	1"
7 x 2.5	3/4"	3/4"	4	3/4"	3/4"	SIW02	SIF02	1"
10 x 2.5	1"	1"	3	1"	1"	SIW03	SIF03	1"
12 x 2.5	1"	1"	2	1"	1"	SIW03	SIF03	1"
14 x 2.5	1"	1"	2	1"	1"	SIW04	SIF04	1"
16 x 2.5	1 1/8"	1 1/8"	2	1 1/8"	1 1/8"	SIW04	SIF04	1"
19 x 2.5	1 1/8"	1 1/8"	2	1 1/8"	1 1/8"	SIW04	SIF04	1"
24 x 2.5	1 1/4"	1 1/4"	1	1 1/4"	1 1/4"	SIW05	SIF05	1.1/4"
27 x 2.5	1 1/4"	1 1/4"	1	1 1/4"	1 1/4"	SIW05	SIF05	1.1/4"
30 x 2.5	1 1/4"	1 1/4"	1	1 1/4"	1 1/4"	SIW06	SIF06	1.1/2"
37 x 2.5	1 3/8"	1 3/8"	11	1 3/8"	1 1/2"	SIW07	SIF07	1.1/2"
44 x 2.5	1 1/2"	1 1/2"	0	1 1/2"	1 1/2"	SIW08	SIF08	2"
52 x 2.5	1 1/2"	1 1/2"	0	1 3/4"	2"	SIW08	SIF08	2"
61 x 2.5	1 3/4"	1 3/4"	38	2"	2"	SIW08	SIF08	2"

* Cable dia collected from leading manufacturers of cable. Variation in dimensions of cables is beyond our liability.

Axelon Selection of Cable Gland on the Basis of Cable Overall Diameter

For Double Compression Type Cable Gland (W/P & F/P) for Armoured Cables				
Cable O.D. (mm) FromTo	Weatherproof Type (SIW)	Flameproof Type (SIF)	Entry Thread (ET)	Panel Hole. Dia (mm)
8.0 - 13.0	SIW01SS	SIF01SS	3/4"	21.0
13.5 - 16.0	SIW01S	SIF01S	3/4"	21.0
16.5 - 18.0	SIW01	SIF01	3/4"	21.0
16.5 - 18.0	SIW01A	SIF01A	1"	26.5
18.5 - 20.0	SIW02	SIF02	1"	26.5
18.5 - 20.0	SIW02A	SIF02A	3/4"	21.0
20.5 - 23.0	SIW03	SIF03	1"	26.5
23.5 - 26.0	SIW04	SIF04	1"	26.5
23.5 - 26.0	SIW04A	SIF04A	1.1/4"	34.0
26.5 - 30.0	SIW05	SIF05	1.1/4"	34.0
26.5 - 30.0	SIW05A	SIF05A	1.1/2"	39.0
30.5 - 33.0	SIW06	SIF06	1.1/2"	39.0
30.5 - 33.0	SIW06A	SIF06A	1.1/4"	34.0
33.5 - 37.0	SIW07	SIF07	1.1/2"	39.0
37.5 - 41.0	SIW08	SIF08	2"	52.0
41.5 - 46.0	SIW09	SIF09	2"	52.0
46.5 - 52.0	SIW010	SIF010	2"	52.0
46.5 - 52.0	SIW010A	SIF010A	2.1/2"	65.5
52.5 - 56.0	SIW011S	SIF011S	2.1/2"	65.5
56.5 - 60.0	SIW011	SIF011	2.1/2"	65.5
60.5 - 66.0	SIW012	SIF012	3"	78.0
66.5 - 72.0	SIW013A	SIF013A	3"	78.0
72.5 - 78.0	SIW013	SIF013	3.1/4"	85.0
78.5 - 84.0	SIW014	SIF014	3.1/2"	91.0
84.5 - 92.0	SIW015	SIF015	4"	103.0
92.5 - 104.0	SIW016	SIF016	4.1/2"	116.0

For Double Compression Type Cable Gland (W/P & F/P) for Un-Armoured Cables				
5.0 - 13.0	SIW01SS (UN)	SIF01SS (UN)	3/4"	21.0
13.5 - 14.5	SIW01S (UN)	SIF01S (UN)	3/4"	21.0
14.5 - 18.0	SIW01A (UN)	SIF01A (UN)	1"	26.5
18.5-20.0	SIW02 (UN)	SIF02 (UN)	1"	26.5
20.5-22.0	SIW03SP (UN)	SIF03SP (UN)	M28	29.5
22.5-26.0	SIW04A (UN)	SIF04A (UN)	1.1/4"	34.0
26.5-30.0	SIW05A (UN)	SIF05A (UN)	1.1/2"	39.0
30.5-33.0	SIW06SP (UN)	SIF06SP (UN)	M40	41.5
33.5-36.0	SIW07SP (UN)	SIF07SP (UN)	M42	43.5
36.5-41.0	SIW08 (UN)	SIF08 (UN)	2"	52.0
41.5-44.0	SIW09 (UN)	SIF09 (UN)	2"	52.0
44.5-52.0	SIW010A (UN)	SIF010A (UN)	2.1/2"	65.5
52.5-60.0	SIW011SP (UN)	SIF011SP (UN)	M70	72.0
60.5-66.0	SIW012 (UN)	SIF012 (UN)	3"	78.0
66.5-75.0	SIW013 (UN)	SIF013 (UN)	3.1/4"	85.0
75.5-80.0	SIW014 (UN)	SIF014 (UN)	3.1/2"	91.0
81.0-88.0	SIW015 (UN)	SIF015 (UN)	4"	103.0

We reserve the right to make technical changes without notice. While we have done our best to ensure the accuracy of catalogue data, we take no responsibility for printing or other errors. Reproduction in whole or in part without permission is prohibited. © 2023 Axelon Metals All Rights Reserved.



REGISTERED OFFICE:

Axelon Metals
Plot No. 3049, Road No. 5,
GIDC Phase-3, Dared,
Jamnagar-361004.
GST No.: 24AAWFA7653D1Z9

FACTORY:

Axelon Metals
Plot No. 3049, Road No. 5,
GIDC Phase-3, Dared,
Jamnagar-361004.
GST No.: 24AAWFA7653D1Z9

☎ +91 98677 69603

✉ info@axelongroup.com

🌐 www.axelongroup.com